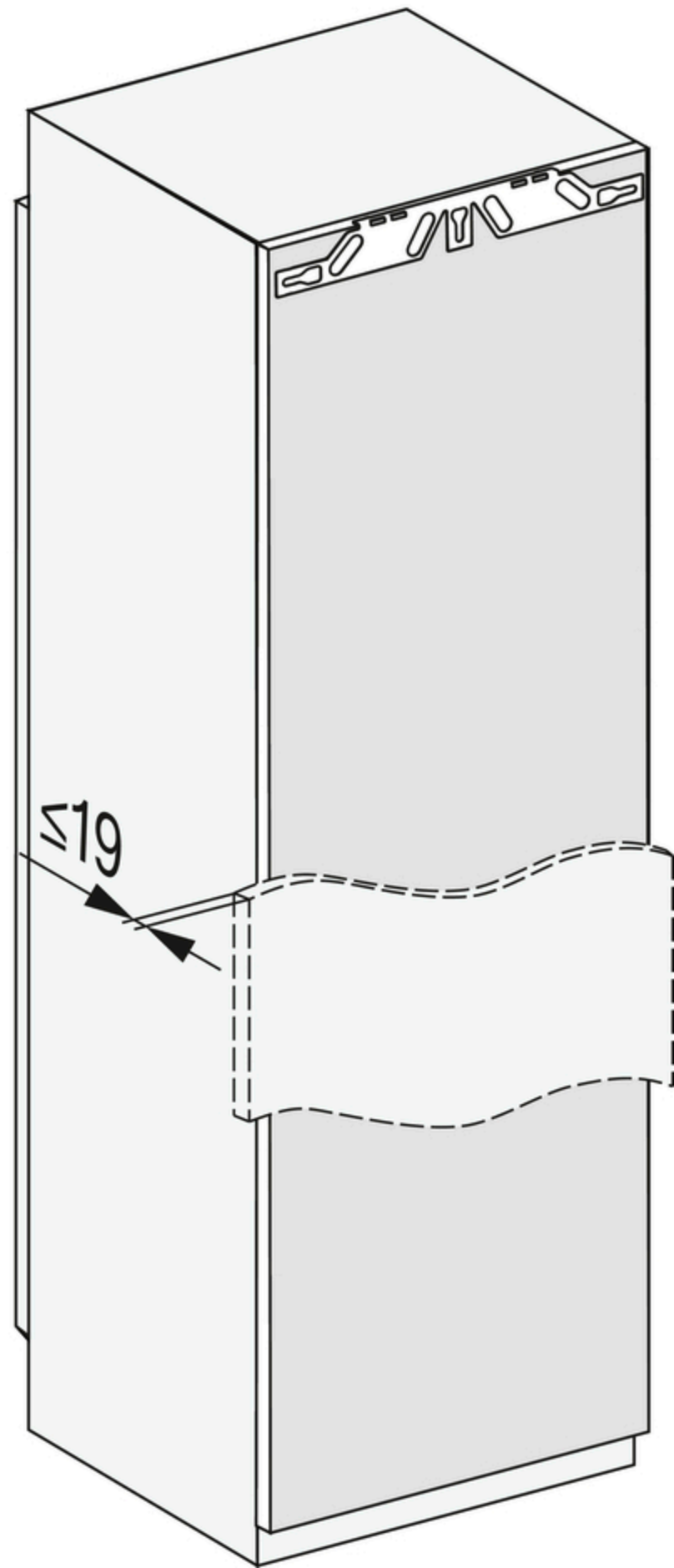
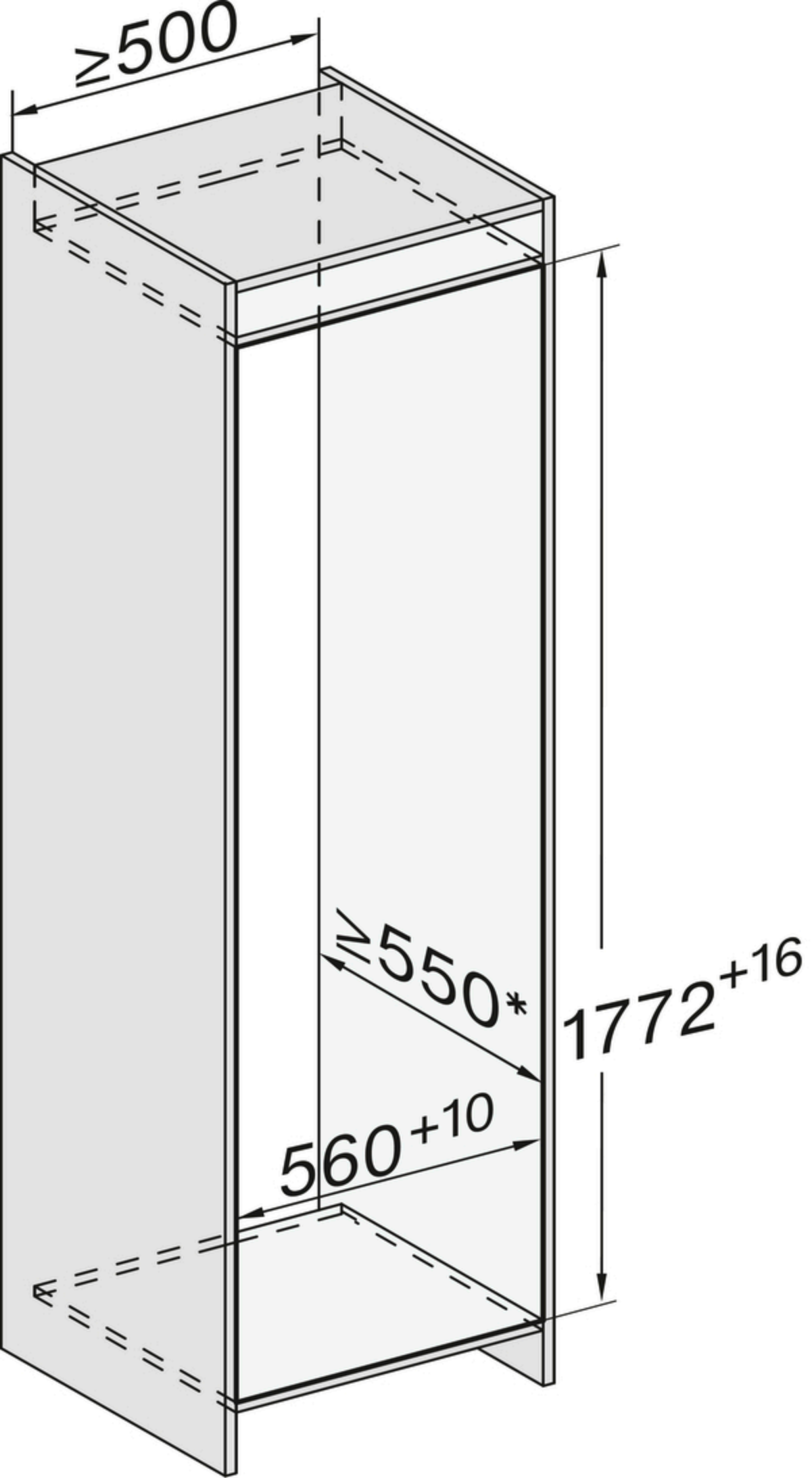
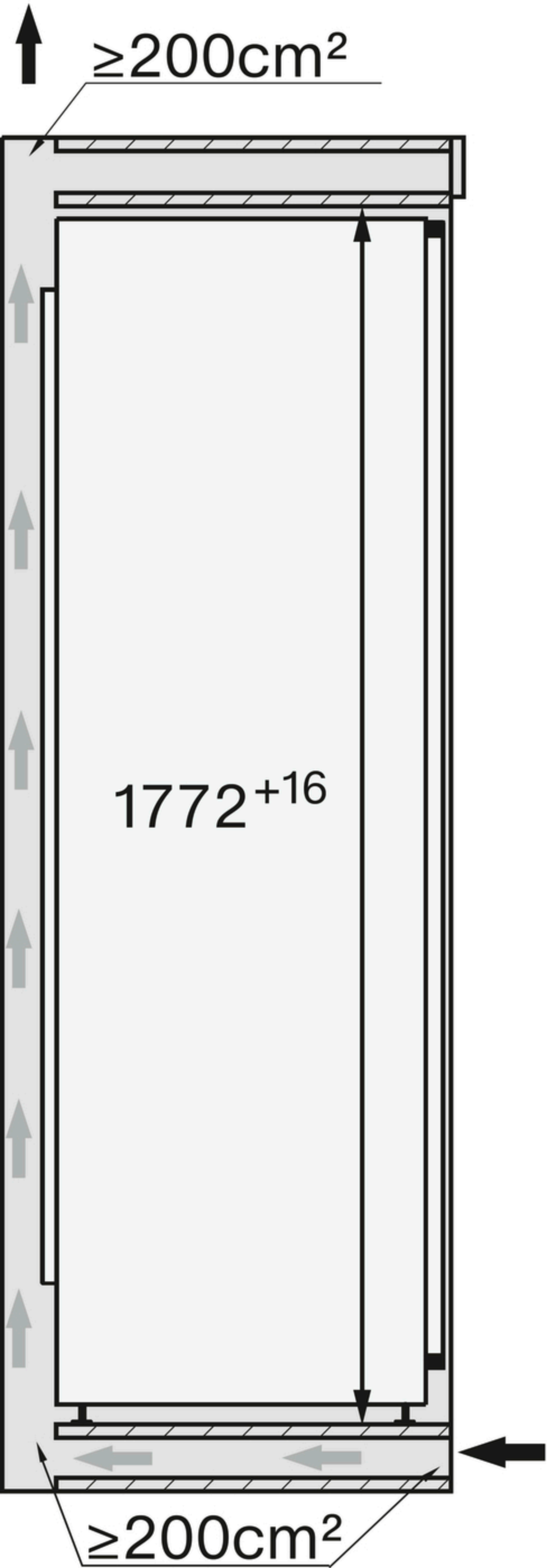


[mm]



[mm]



$\geq 200\text{cm}^2$

$1772^{+16}$

$\geq 200\text{cm}^2$